

OEXO

Subminiature Oven Controlled Commercial Quartz Crystal Oscillator

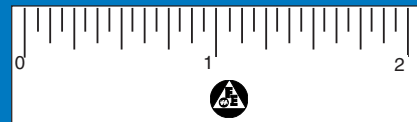
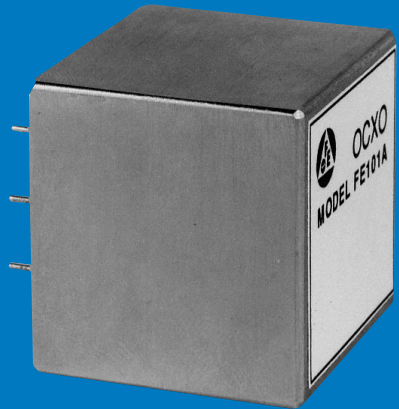
Model FE-101A

Traditional ovenized crystal oscillators typically require long warm-up times to stabilize. Frequency Electronics' experience has led to the development of a stable oven controlled oscillator which warms up in less than 2 minutes to 1×10^{-7} .

TECHNICAL HIGHLIGHTS

The FE-101A is a rugged, compact, ultra-stable, sub-miniature crystal oscillator designed to provide excellent short- and long-term stability over a wide range of environmental conditions in applications ranging from instruments and laboratory systems, to portable communication systems.

Superior crystal oscillator precision is required for both time and frequency in precision instrument applications such as synthesizers, counters and spectrum analyzers. The same high end performance characteristics are required in satellite transmissions, geophysical survey positioning systems, and standard time/time-interval generation and transfer. Using breakthrough design and packaging concepts, FEI has applied advanced technologies to create the best of both worlds... with small size and low costs. This makes the FE-101A your best choice for all applications in which it is essential to combine excellent spectral purity with short- and long-term stability.



FEATURES

- Warm Up to stabilized frequency in less than 2 min.
- Temperature Stability:
 5×10^{-8} @ -50°C
- Low Steady State Power:
1.75 W @ 25°C
- Small Size:
1.27" x 1.33" x 1.33"



FEI Communications, Inc.

A Subsidiary of Frequency Electronics, Inc.
55 Charles Lindbergh Blvd., Mitchel Field, NY 11553
TEL: 516-794-4500 • FAX: 516-794-4340
Visit us at: www.frequelec.com

SPECIFICATIONS

FREQUENCY

10 kHz to 5 MHz, CMOS compatible squarewave
or 5 MHz to 20 MHz, @ +7 dBm, sinewave,
with -30 dBc maximum harmonic distortion

ALLAN VARIANCE

5×10^{-12} from 0.1 to 10 seconds

LONG TERM STABILITY

5×10^{-10} /day, 5×10^{-8} /year

FREQUENCY TEMPERATURE STABILITY

$\pm 5 \times 10^{-8}$

PHASE NOISE [-dBc /Hz @ Frequency Offset]

140	100Hz
150	1 kHz
155	10 kHz

FREQUENCY RETRACE

$\pm 1 \times 10^{-8}$ within 1 hour following 24 hours off

G-SENSITIVITY

$\pm 1 \times 10^{-9}$ /g

INPUT VOLTAGE

± 15 VDC $\pm 5\%$

INPUT VOLTAGE SENSITIVITY

$\pm 1 \times 10^{-9}$ for $\pm 5\%$

WARM-UP POWER

7W, max.

WARM-UP TIME

2 min. to 1×10^{-7}
4 min. to 1×10^{-8}

STEADY STATE POWER

1.75 @ +25°C +/- 22 mW/°C

OPERATING TEMPERATURE RANGE

0 to +50°C

OPTIONS AVAILABLE

EXTENDED TEMPERATURE

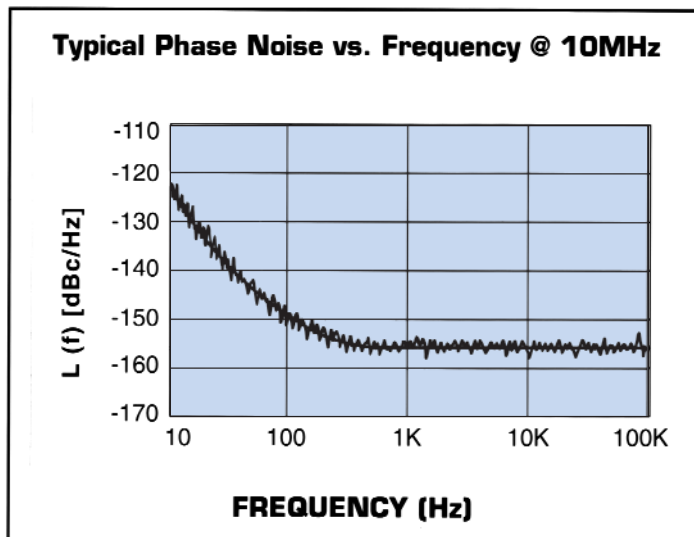
Option 1	-40 to 70°C
Option 2	-55 to 85°C

IMPROVED TEMPERATURE STABILITY

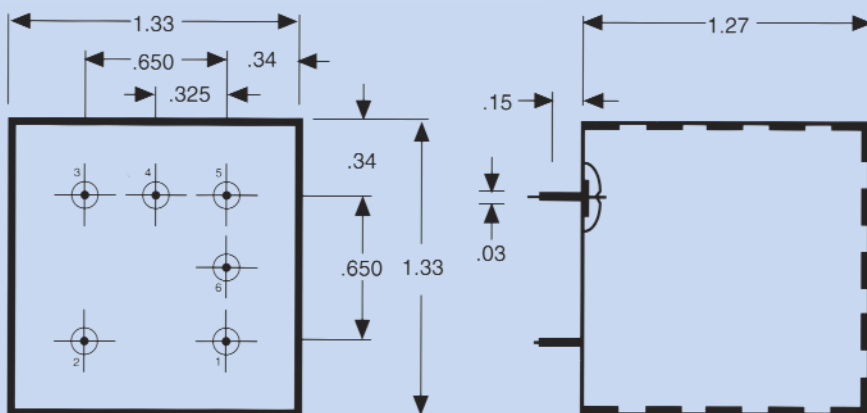
Option 4	$\pm 3 \times 10^{-8}$
Option 5	$\pm 1 \times 10^{-8}$

IMPROVED G SENSITIVITY

Option 8	$\pm 5 \times 10^{-10}$ /g
Option 9	$\pm 3 \times 10^{-10}$ /g



OUTLINE DRAWINGS



PIN	FUNCTION
1	GROUND
2	EFC
3	RF OUTPUT
4	+15V (OVEN/OSC POWER)
5	NC
6	+5V (CMOS POWER)



FEI Communications, Inc.
A Subsidiary of Frequency Electronics, Inc.
55 Charles Lindbergh Blvd., Mitchel Field, NY 11553
TEL: 516-794-4500 • FAX: 516-794-4340
Visit us at: www.freqelec.com